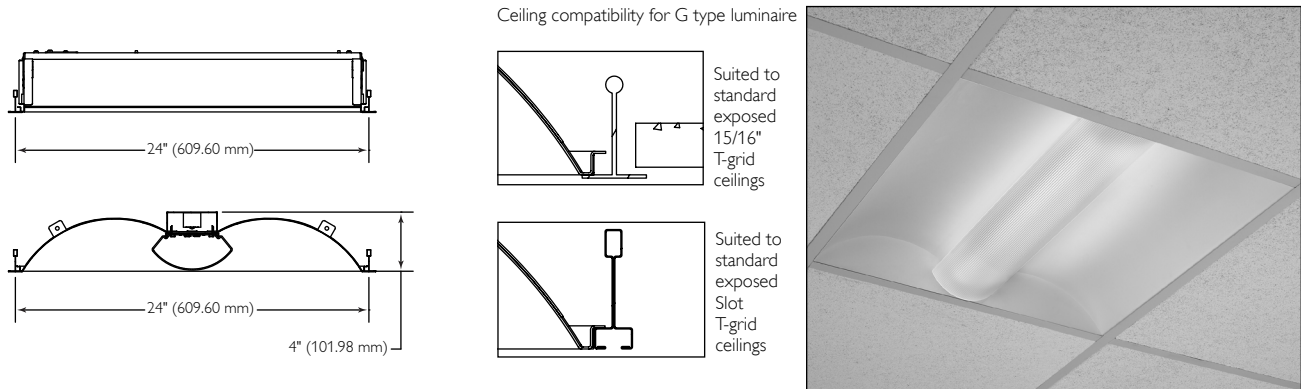


Alter Concept Elegance Lens LED 2x2

2' x 2' direct/indirect recessed LED

Page 1 of 2



Ordering information

QCE	22	G	OL	OP	Lumens	CCT	Voltage	Driver Type	Options
Family	Dimension	Ceiling Type	Lamp Shield	Lamp Shield Details					
Alter Elegance Lens LED	22 = 2' x 2'	G = Fits standard 15/16" T-bar or 9/16" slot T ceiling	OL = 100% Frost Acrylic Lens	OP = One piece lamp shield	31 = 3100 lm nominal 38 = 3800 lm nominal	35 = 3500K 40 = 4000K	U = 120/277V 3 = 347 ¹⁾	LAG = LED Driver DZT = 0-10V Dimming	

1) 347V requires deeper housing

Features

- High performance curved opal lens provides soft, balanced, direct and reflected light
- Seamless welded form – curved top and side reflectors formed together without any gaps or visual barriers
- High performance LED technology delivers up to 3820 lm at 40.5W
- Multiple lumen outputs available to balance energy savings with lighting application needs
- Ideal for indoor general area lighting – offices, schools, retail and health care applications
- 80+ CRI and excellent colour consistency
- Provides 25-40% energy savings over 2-T5HO (24W) fluorescent luminaires
- Long life LEDs provide 50,000 hours of rated life (L₈₀)
- Predicted L70 lifetime based on LED manufacturer's supplied LM-80 data and in-situ laboratory testing
- Dimming option available

Specifications

Materials: One piece chassis constructed from die formed 20 gauge cold rolled steel.

Finish: 95% reflectance baked white acrylic matte paint finish.

Shielding: High performance contoured lens conceals lamp image providing balance between reflected and direct light

Electrical: LED boards and drivers are RoHS (Restriction of Hazardous Substances) compliant. For dimming options, consult factory. LED array and driver accessible from below.

Labels: cCSAus

Option/Accessories

Electrical wiring options: Consult factory

Drywall kit: Order Catalogue Number: FK92X2

Lens Replacement: Order Catalogue Number: QCE22OLOP

Emergency options: Consult factory – requires a deeper housing

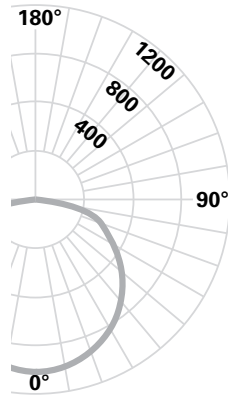
Job Information	Type:
Job Name:	
Cat. No.:	
Notes:	

Alter Concept Elegance Lens LED 2x2

2' x 2' direct/indirect recessed LED

Performance

CANDLEPOWER CURVE 3100 LM



CANDLEPOWER

ZONE DEG	CANDLEPOWER				
	ALONG	22.5	45	67.5	ACROSS
0	1063	1063	1063	1063	1063
5	1053	1057	1062	1061	1063
10	1034	1039	1049	1054	1056
15	1001	1009	1022	1029	1031
20	955	965	983	997	1002
25	899	912	938	959	966
30	833	850	884	913	921
35	762	781	823	862	874
40	684	707	758	806	821
45	605	629	690	744	762
50	524	551	616	680	701
55	442	469	540	610	635
60	364	395	469	543	569
65	289	319	397	474	502
70	220	251	329	405	434
75	157	188	262	334	363
80	99	128	190	235	249
85	47	65	89	93	95
90	0	0	0	0	0

REPORT NO: C12107
 CAT. NO: QCE22GOLOP3140ULAG
 Output: 3099 lumens at 4000K
 Efficacy: 99.0 lm/W
 Candela at Nadir: 1063cd

COEFFICIENTS OF UTILIZATION

ZONAL CAVITY METHOD * EFFECTIVE FLOOR CAVITY REFLECTANCE = .20

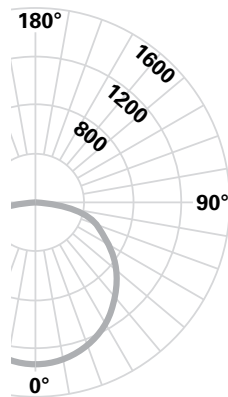
Room Cavity Ratio	Wall Reflectance										
	80			70			50				
	70	50	30	10	70	50	30	10	50	30	10
0	1.19	1.19	1.19	1.19	1.16	1.16	1.16	1.16	1.11	1.11	1.11
1	1.09	1.04	1.00	.96	1.06	1.02	.98	.94	.97	.94	.91
2	.99	.91	.85	.79	.97	.89	.83	.78	.86	.81	.76
3	.91	.80	.72	.66	.88	.79	.71	.65	.76	.70	.64
4	.84	.72	.63	.57	.81	.71	.63	.56	.68	.61	.56
5	.77	.64	.55	.49	.75	.63	.55	.49	.61	.54	.48
6	.71	.58	.49	.43	.69	.57	.48	.42	.55	.47	.42
7	.65	.52	.43	.37	.63	.51	.42	.36	.49	.42	.36
8	.60	.47	.38	.33	.59	.46	.38	.32	.45	.37	.32
9	.56	.43	.34	.29	.55	.42	.34	.29	.41	.33	.28
10	.52	.39	.31	.25	.51	.38	.31	.25	.37	.30	.25

DETERMINED IN ACCORDANCE WITH CURRENT IES PUBLISHED PROCEDURES
 LUMINAIRE INPUT WATTS = 31.3

DISTRIBUTION

ZONE	LUMENS	%LUMINAIRE
0-30	819	26.42
0-40	1332	42.97
0-60	2344	75.62
0-90	3099	100.00
40-90	1768	57.03
60-90	756	24.38
90-180	0	0.00
0-180	3099	100.00

CANDLEPOWER CURVE 3800 LM



CANDLEPOWER

ZONE DEG	CANDLEPOWER				
	ALONG	22.5	45	67.5	ACROSS
0	1322	1322	1322	1322	1322
5	1309	1313	1319	1320	1323
10	1285	1289	1302	1310	1314
15	1245	1252	1268	1278	1282
20	1188	1197	1219	1237	1247
25	1118	1130	1162	1189	1201
30	1037	1054	1093	1131	1145
35	947	966	1015	1067	1087
40	851	874	934	995	1021
45	752	777	845	917	948
50	652	678	754	837	872
55	551	577	659	749	790
60	453	482	570	666	708
65	360	393	479	579	624
70	273	304	390	494	540
75	195	225	313	406	452
80	123	151	227	289	313
85	58	76	108	116	119
90	0	0	0	0	0

REPORT NO: C12150
 CAT. NO: QCE22GOLOP3840ULAG
 Output: 3820 lumens at 4000K
 Efficacy: 94.3 lm/W
 Candela at Nadir: 1322cd

COEFFICIENTS OF UTILIZATION

ZONAL CAVITY METHOD * EFFECTIVE FLOOR CAVITY REFLECTANCE = .20

Room Cavity Ratio	Wall Reflectance										
	80			70			50				
	70	50	30	10	70	50	30	10	50	30	10
0	1.19	1.19	1.19	1.19	1.16	1.16	1.16	1.16	1.11	1.11	1.11
1	1.09	1.04	1.00	.96	1.06	1.02	.98	.94	.97	.94	.91
2	.99	.91	.85	.79	.97	.89	.83	.78	.86	.81	.76
3	.91	.80	.72	.66	.88	.79	.72	.66	.76	.70	.64
4	.84	.72	.64	.57	.82	.71	.63	.57	.68	.61	.56
5	.77	.64	.56	.49	.75	.63	.55	.49	.61	.54	.48
6	.71	.58	.49	.43	.69	.57	.48	.42	.55	.48	.42
7	.65	.52	.43	.37	.64	.51	.43	.37	.49	.42	.37
8	.61	.47	.39	.33	.59	.46	.38	.32	.45	.37	.32
9	.56	.43	.34	.29	.55	.42	.34	.29	.41	.34	.29
10	.52	.39	.31	.26	.51	.38	.31	.26	.37	.30	.25

DETERMINED IN ACCORDANCE WITH CURRENT IES PUBLISHED PROCEDURES
 LUMINAIRE INPUT WATTS = 40.5

DISTRIBUTION

ZONE	LUMENS	%LUMINAIRE
0-30	1017.2	6.61
0-40	1651	43.23
0-60	2898	75.88
0-90	3820	100.00
40-90	2168	56.77
60-90	921	24.12
90-180	0	0.00
0-180	3820	100.00

Catalogue Number	Delivered Lumens	Input Watts	Efficacy lm/W	8' x 8' avg fc	8' x 8' W/sq ft	8' x 10' avg fc	8' x 10' W/sq ft
QCE22GOLOP3140ULAG	3099	31.3	99.0	48.4	0.49	38.7	0.39
QCE22GOLOP3840ULAG	3820	40.5	94.3	59.7	0.63	47.8	0.51



Canlyte
 3015 Louis-Amos, Lachine, Québec H8T 1C4
 e: canlyte-info@philips.com
 t: (514) 636-0670
 w: www.canlyte.com
 QCE22GOLOP July 18, 2012.
 Specifications are subject to change without notice.
 © Koninklijke Philips Electronics N.V., 2011. All rights reserved.

Job Information

Type:

